

T-BLACK

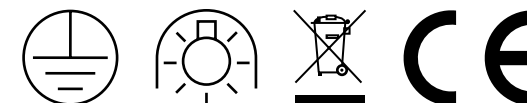
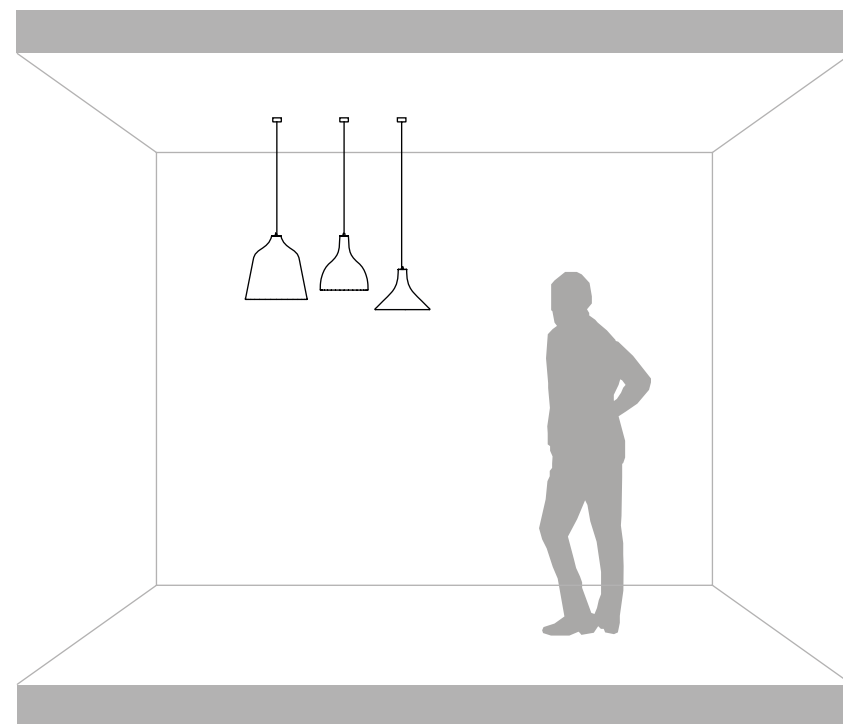


SE150 AN INT (a)
SE150 BN INT (a)
SE150 CN INT (b)

220-240V

1 x max 53W - E27 (a)

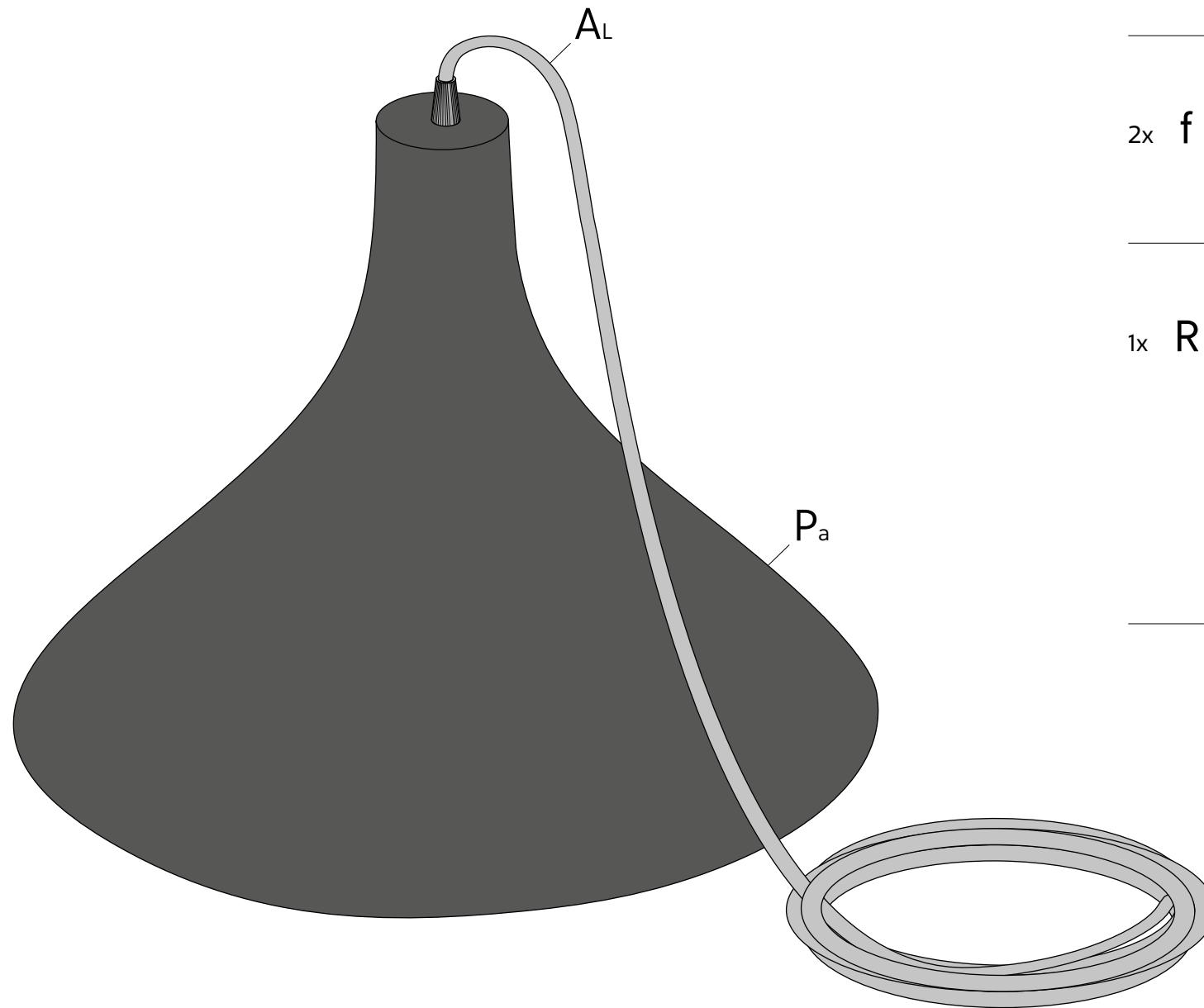
1 x max 70W - E27 (b)



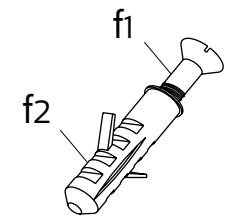
Karman srl

Via A. Grandi, San Martino del piano, 61034 Fossombrone (PU), Italy - p.iva 02175640412 tel +39 0721 71 5042 r.a fax +39 0721 716640 - www.karmanitalia.it

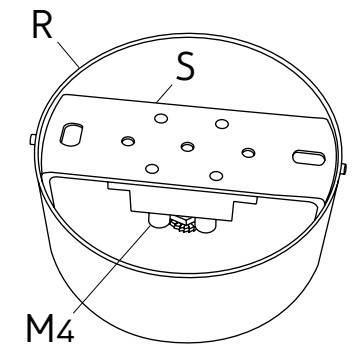
C - 01

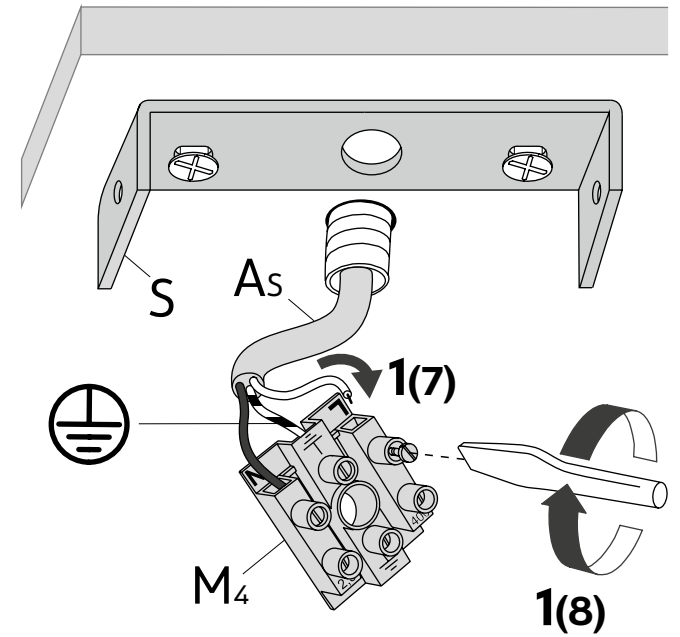
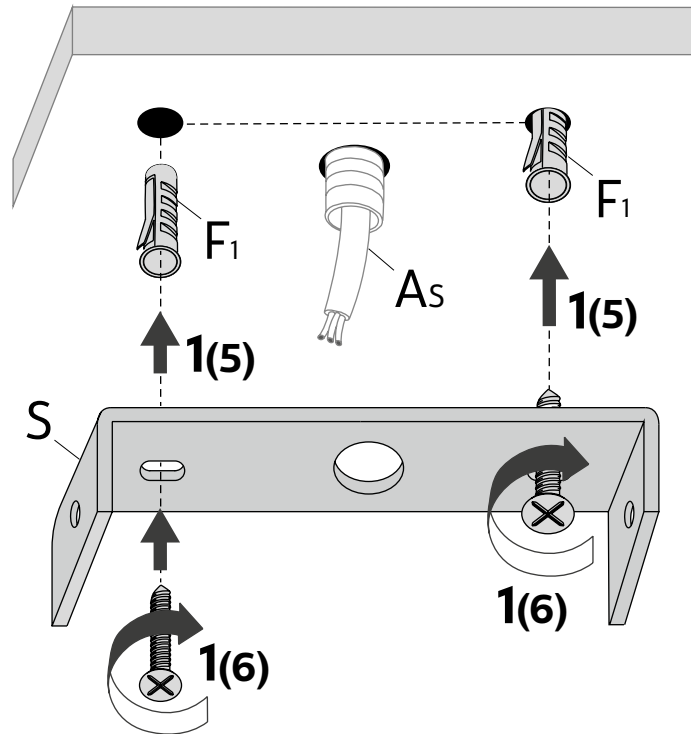
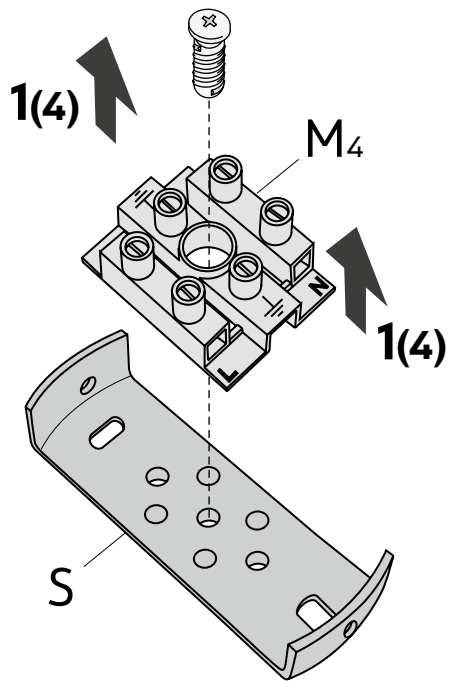
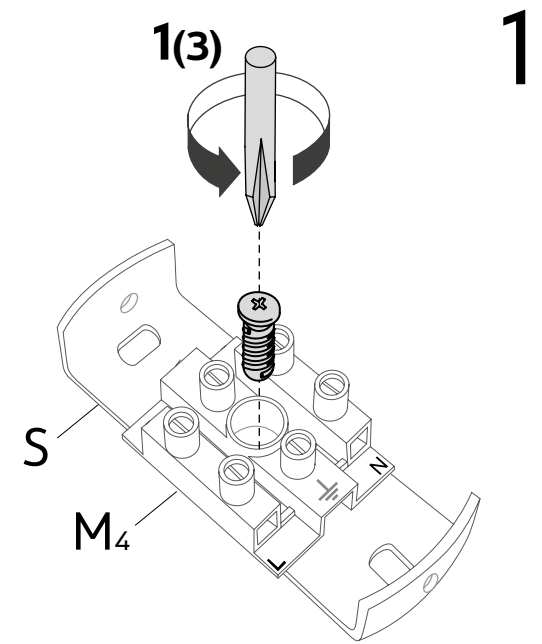
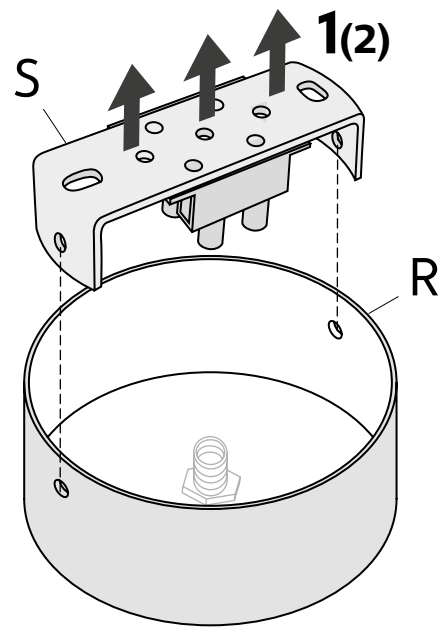
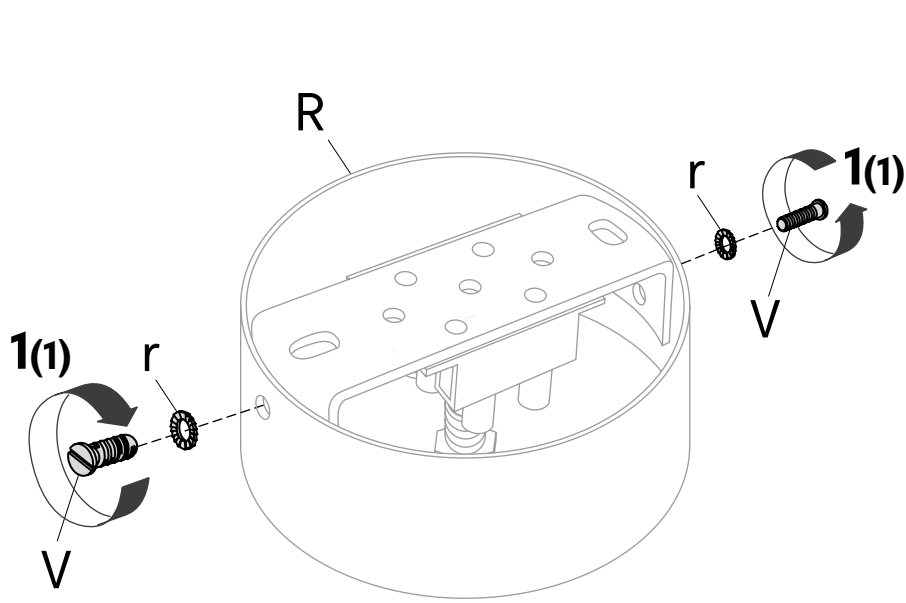


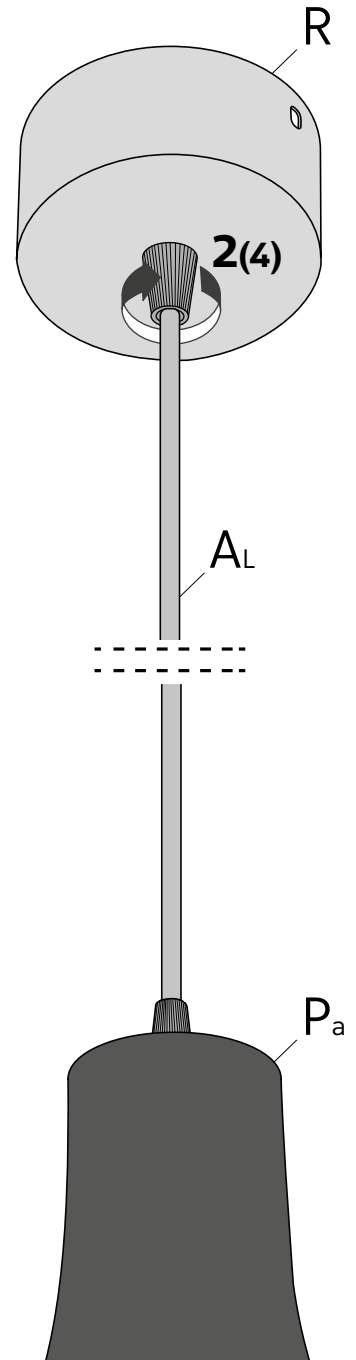
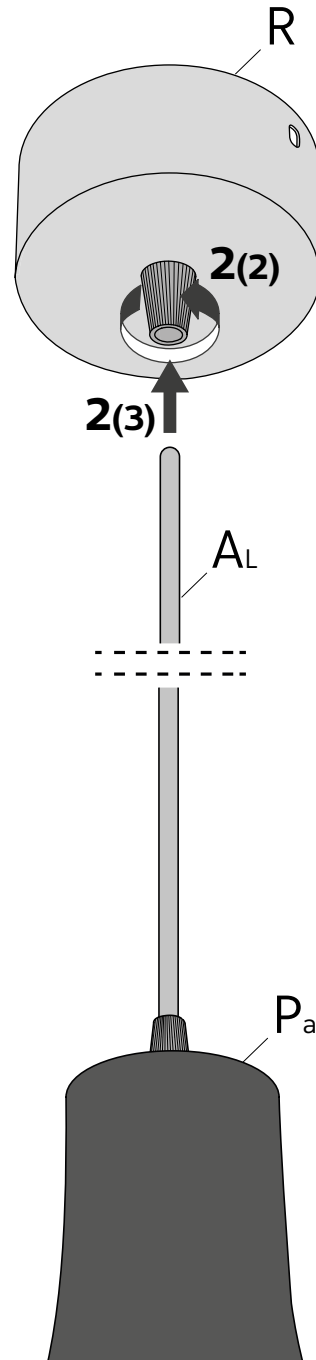
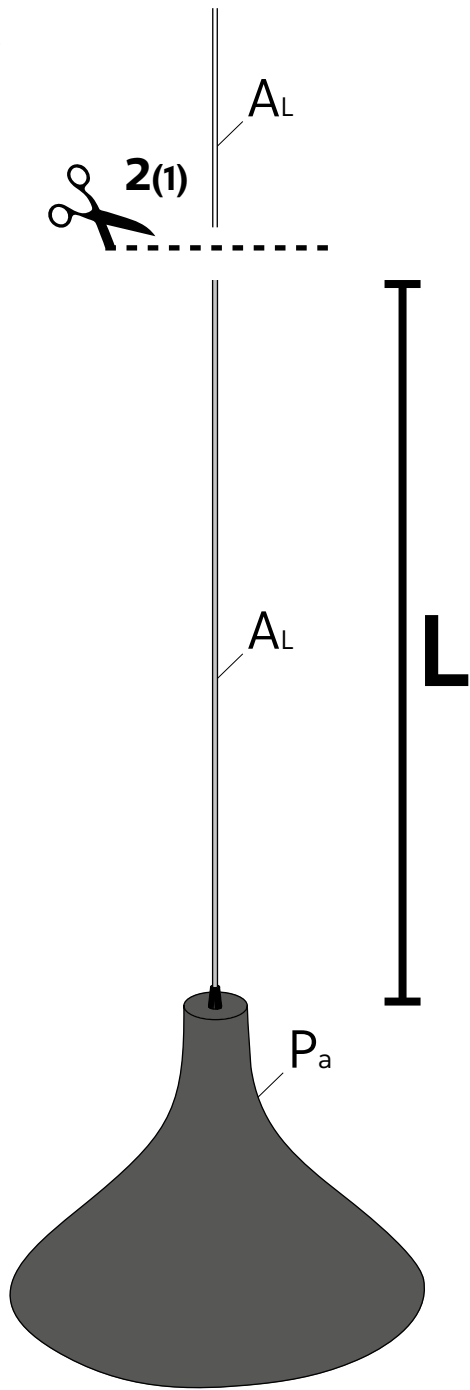
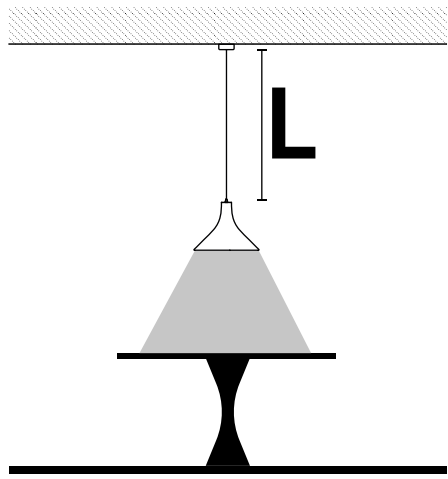
2x f

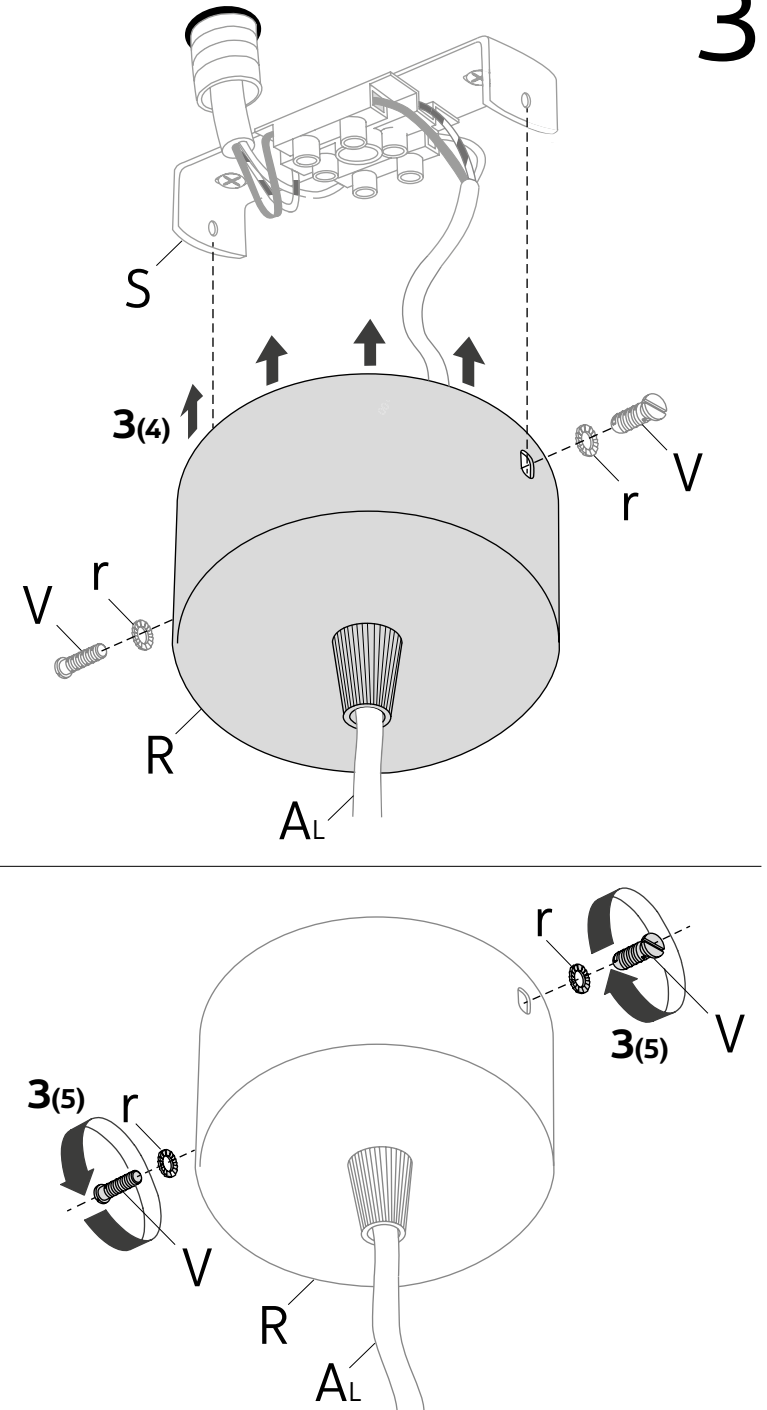
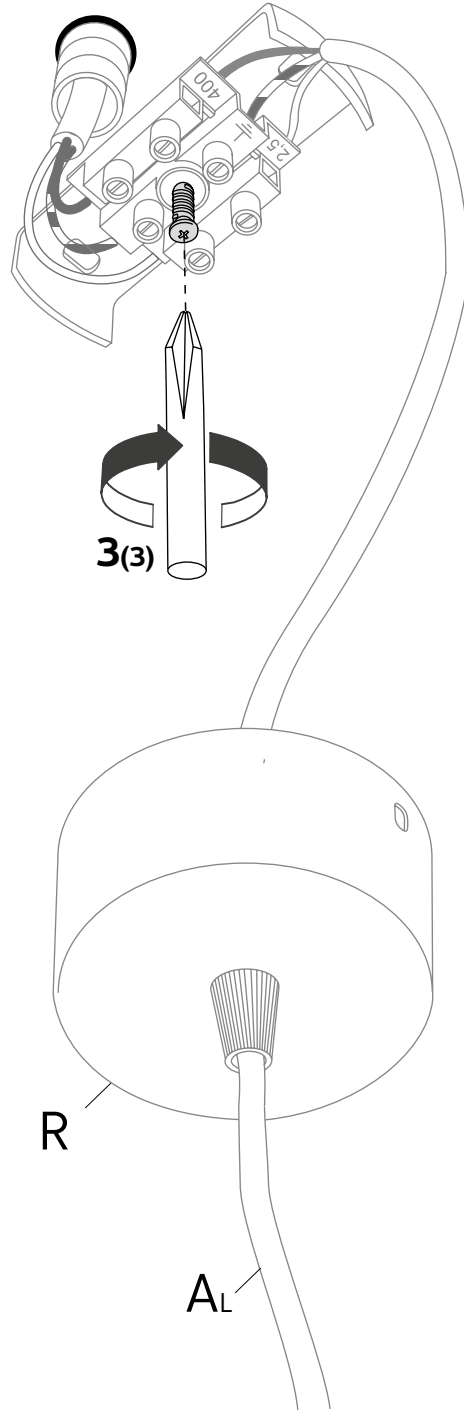
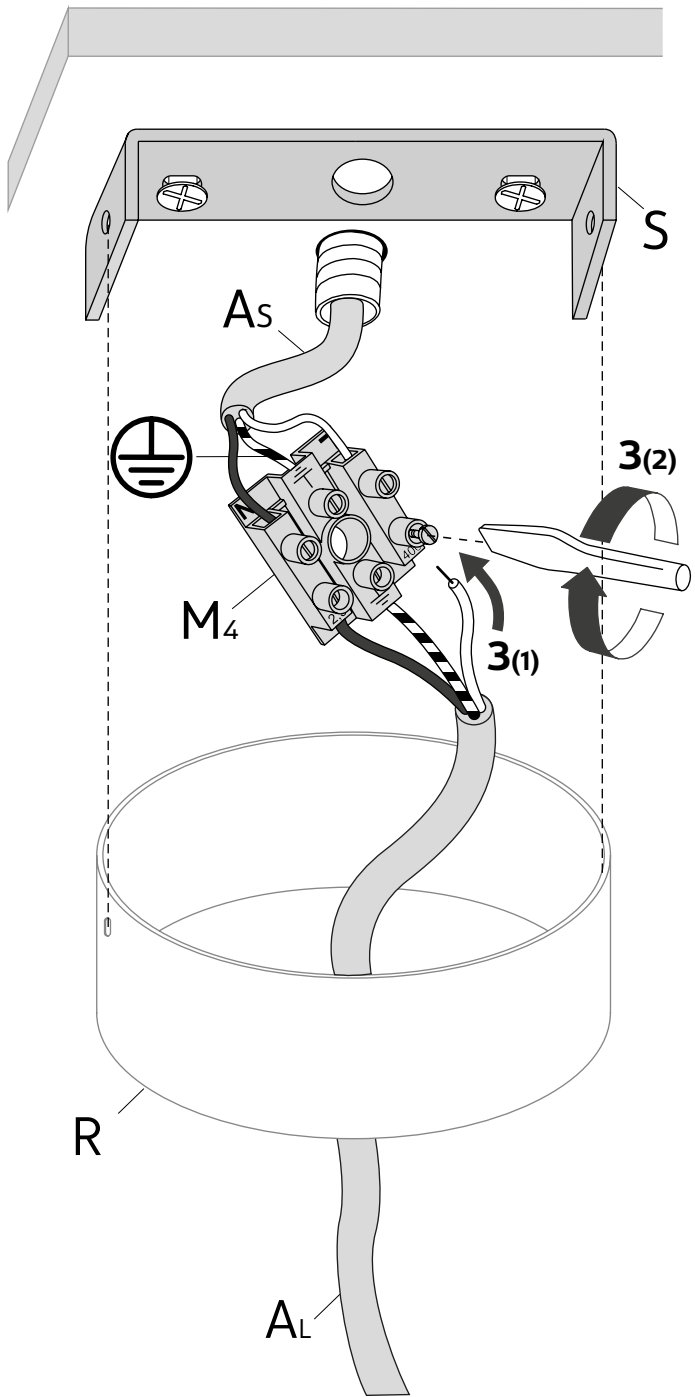


1x R









3

